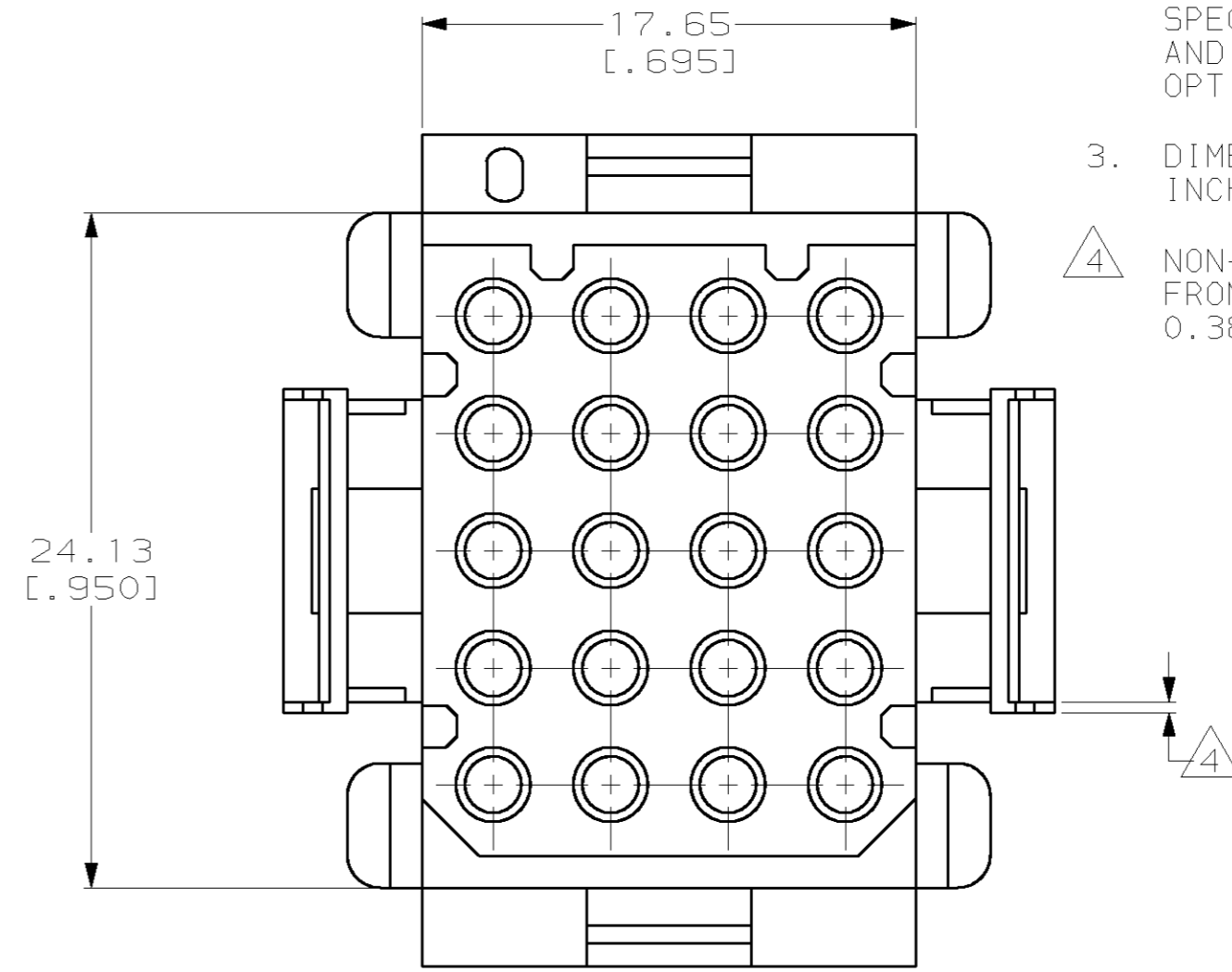
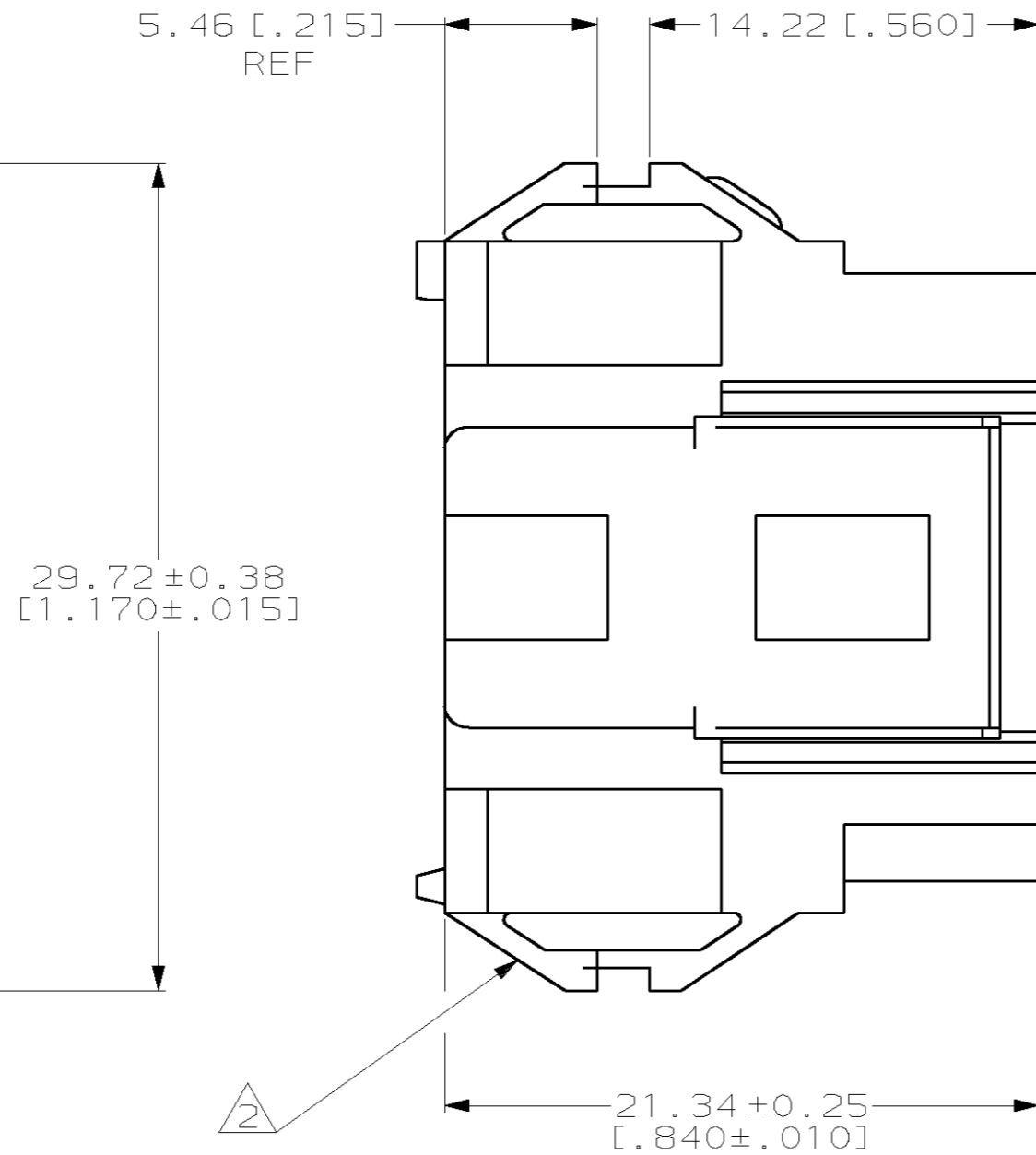
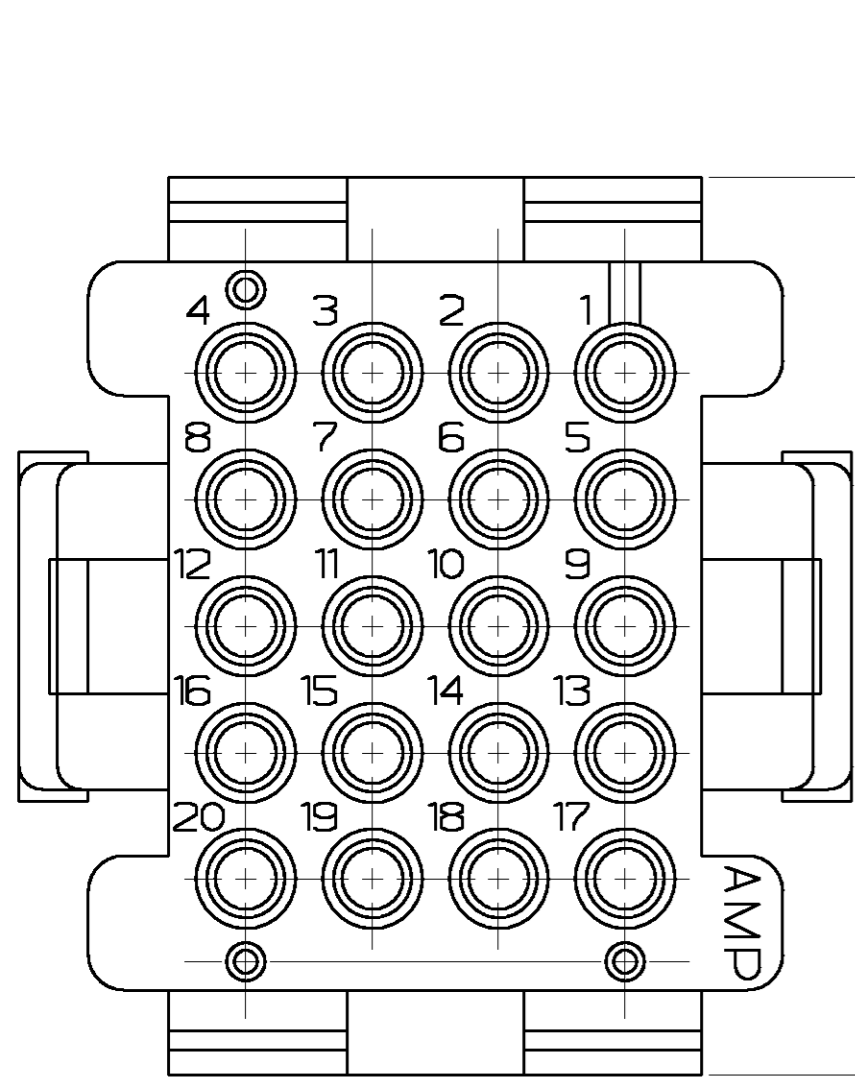
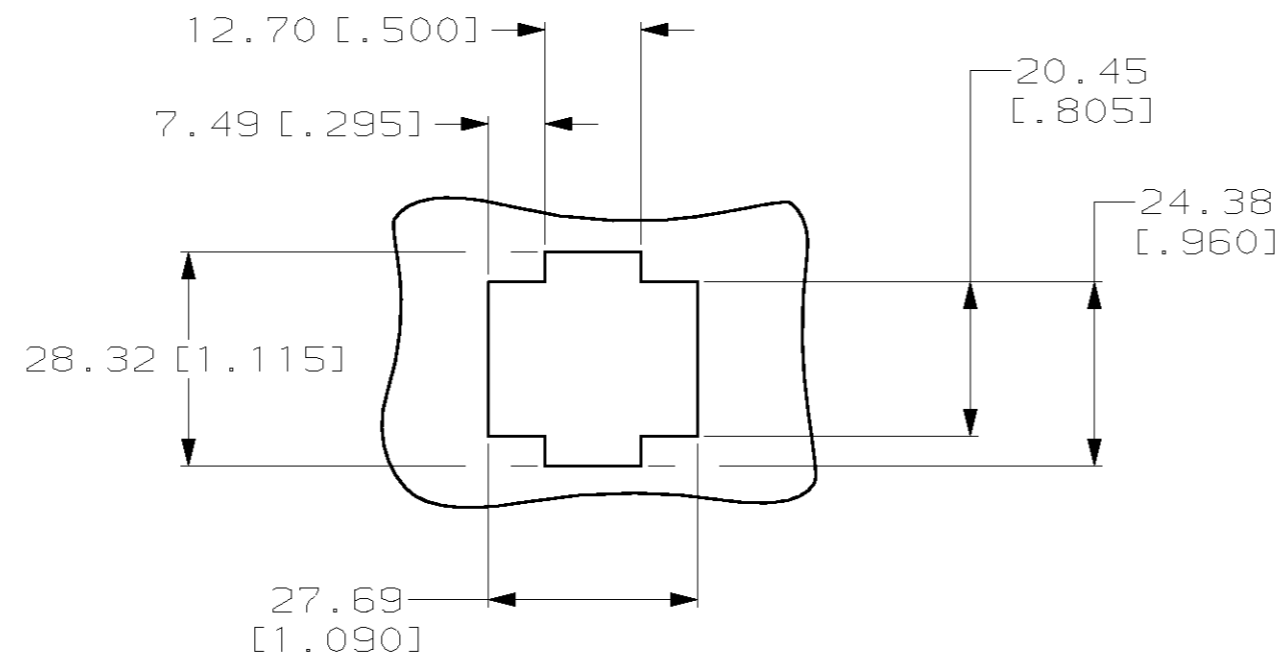
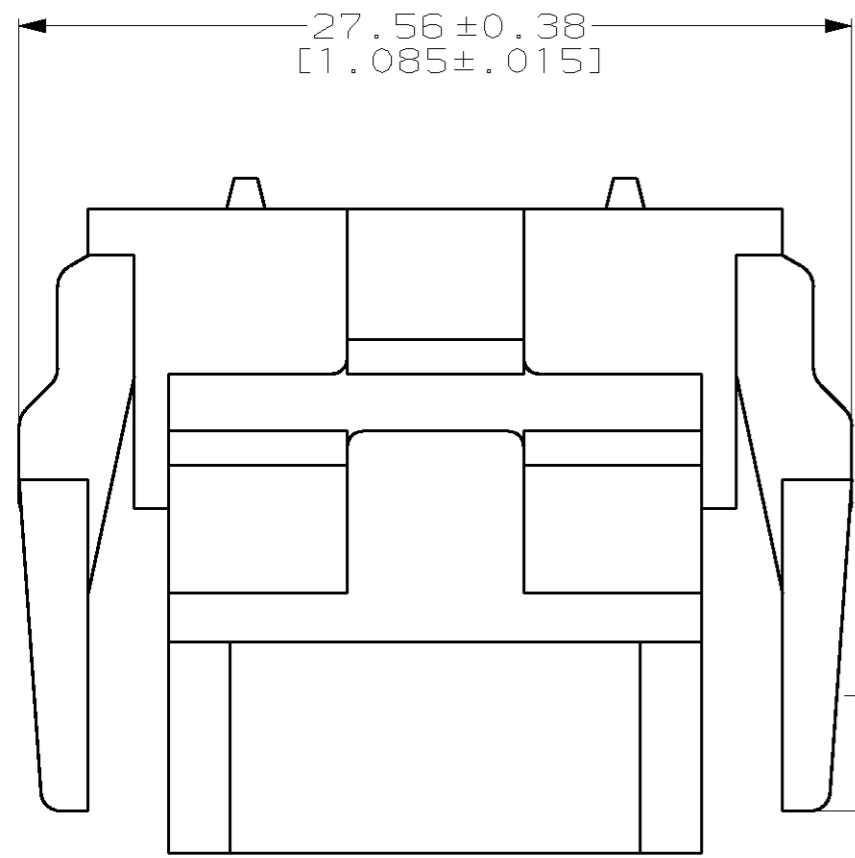


THIS DRAWING IS UNPUBLISHED. RELEASED FOR PUBLICATION .19
 (C) COPYRIGHT 19 BY AMP INCORPORATED. ALL RIGHTS RESERVED.

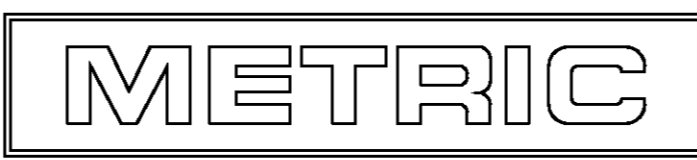
LOC		DIST		REVISIONS			
P	LTR	DESCRIPTION		DATE	DWN	APVD	
CM	52	E		REVISED PER EC 063B-0104-99	05-OCT-99	KW	KC



- 1. MATES WITH HOUSING 640514.
- 2. UL LOGO AND CSA LOGO TO APPEAR ON EITHER LATCH SURFACE PER AMP SPEC 202-20, I.D. NO. 1-18838-3 AND 1-18839-3. FROST BACKGROUND OPTIONAL.
- 3. DIMENSIONS IN BRACKETS ARE IN INCHES.
- 4. NON-FILL PERMITTED UP TO 3.8[.15] FROM EDGE OF LATCH ARM ON THE 0.38[.015] THICK FLANGE, 4 PLC.



RECOMMENDED CUT OUT FOR 1.73[.068] MAX THICK PANEL
 SCALE 1:1



1-640524-0
 PART NUMBER

THIS DRAWING IS A CONTROLLED DOCUMENT.		DWN	R. VESTAL	12-01-97	AMP Incorporated Harrisburg, PA 17105-3608
DIMENSIONS: mm [INCHES]		CHK	R. SWING	12-01-97	
TOLERANCES UNLESS OTHERWISE SPECIFIED:		APVD	A. BEDDICK	12-01-97	
0 PLC ±- 1 PLC ±- 2 PLC ±0.13[.005] 3 PLC ±- 4 PLC ±- ANGLES ±0°30' FINISH -		PRODUCT SPEC	NAME		HOUSING, PLUG
MATERIAL NYLON, UL 94V-0, NATURAL (BRICK RED)		APPLICATION SPEC	NAME		MRII
		WEIGHT	SIZE		20 POSITION
		CUSTOMER DRAWING	CAGE CODE		A2 00779
		SCALE	DRAWING NO		C-640524
		SHEET	SCALE		4:1
		OF	SHEET		1 OF 1
		REV	REV		E